



Product News – Toggle Clamps

AMF news 2021 / Parrilla



A horizontal bar with a grey background on the left and an orange background on the right. The word 'Agenda' is written in orange, preceded by a white right-pointing chevron. A small orange square is positioned to the left of the chevron.

> Agenda

- > 6829VA – Pneumatic link clamp with groove for sensor query
- > 6878 – Adapter for multifunctional tables
- > Q&A

The header graphic features a horizontal strip with a grayscale image of mechanical parts and technical drawings on the left, transitioning into a solid orange bar on the right. Below the orange bar, the word 'Agenda' is written in a bold, orange, sans-serif font, preceded by a small orange square.

> Agenda

- > **6829VA – Pneumatic link clamp with groove for sensor query**
- > 6878 – Adapter for multifunctional tables
- > Q&A

> 6829VA – Link clamp pneumatic

Pneumatic link clamp with groove for sensor query 6829VA

Sensor groove and magnetic piston for end-position monitoring. Double acting. Body is made of aluminium, red anodised. Parts of mechanism are made of steel and blued. Piston rod is made of non-rusting steel, polished.

NEW!



Advantages and benefits:

- > Extension of link clamps pneumatic 6829V:



- > Sensor groove and magnetic piston for start and end position sensing of the piston for more process reliability
- > Enables digitization of production data

> 6829VA – Link clamp pneumatic

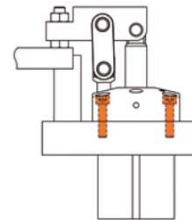
Pneumatic link clamp with groove for sensor query 6829VA

Sensor groove and magnetic piston for end-position monitoring. Double acting. Body is made of aluminium, red anodised. Parts of mechanism are made of steel and blued. Piston rod is made of non-rusting steel, polished.

NEW!



Mounting:



From above with 4 socket cap screws through the flange

Accessories:



6820SIS

The header graphic features a horizontal strip with a grayscale image of industrial machinery on the left and a solid orange bar on the right. Below the orange bar, the word 'Agenda' is written in a bold, orange, sans-serif font, preceded by a small orange square.

> Agenda

- > 6829VA – Pneumatic link clamp with groove for sensor query
- > **6878 – Adapter for multifunctional tables**
- > Q&A

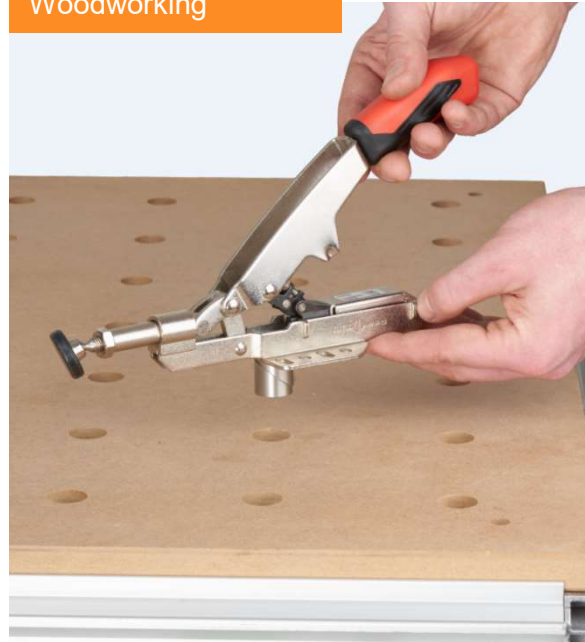
> 6878 – Adapter for multifunctional tables

Adapter for mounting AMF toggle clamps on multifunction tables :

Welding processing



Woodworking



Metalworking



> 6878 – Adapter for multifunctional tables

Clamping bolts for perforated table 6878K

For adapting toggle clamps on perforated tables for woodworking and welding. The quick clamp can be easily and quickly fixed from above. The clamping bolt is insensitive to the surface quality and diameter of the hole and can also be used with thin plates, from 4 mm.

NEW!



Version:

- > Application area woodworking size 20: Stainless steel
- > Application area welding machining sizes 16 and 28: Steel burnished



> 6878 – Adapter for multifunctional tables

> Application table → will be in catalogue

Toggle Clamp Selektion	Size	Only clamping bolt without adapterplate	Size of mounting kit for adapter plate square and round		
			M5	M6	M8
6800	2		•		
	3			•	
	4				•
6830	2		•		
	3			•	
	4				•
6870F	20		•		
	50	•		•	
	70	•		•	
6874F	15		•		
	25	•		•	

> 6878 – Adapter for multifunctional tables

No. 6878AE

Square adapter plate

Especially suitable for quick positioning. The toggle clamp can be easily and quickly fixed from above. Adapter plate made of galvanized and passivated steel.

NEU!



No. 6878B

Mounting kit

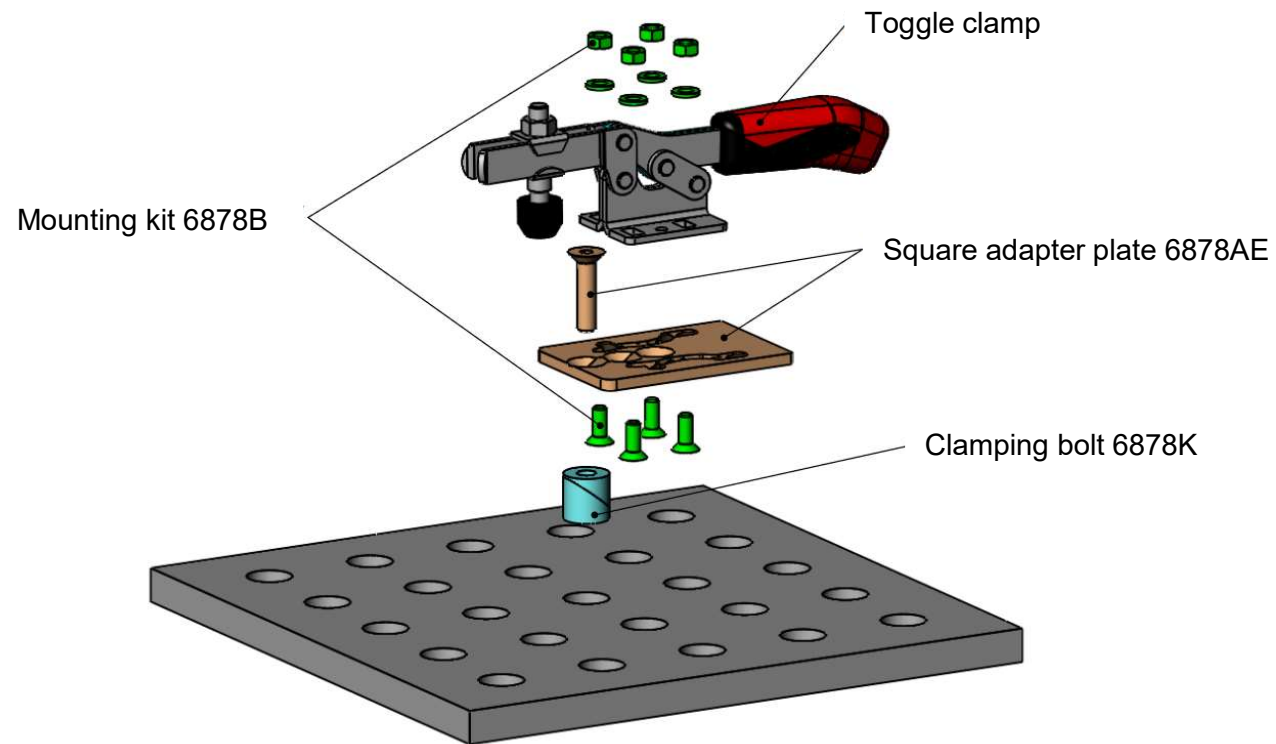
NEU!



Bestell-Nr.	Größe	Gewicht	€/St.	€/St.
		[g]	ab 1	ab 10
564136	M5	4	2,14	2,04
564137	M6	6	2,14	2,04
564138	M8	9	2,14	2,04

> 6878 – Adapter for multifunctional tables

Application example 1:



> 6878 – Adapter for multifunctional tables

No. 6878AR

Round adapter plate

For flexible position changes within the hole grid.
Adapter plate made of galvanized and passivated steel. Clamping bolt with washer for fixing the round adapter plate on the hole table.

No. 6878S

Mounting kit disk

NEU!



NEU!



No. 6878B

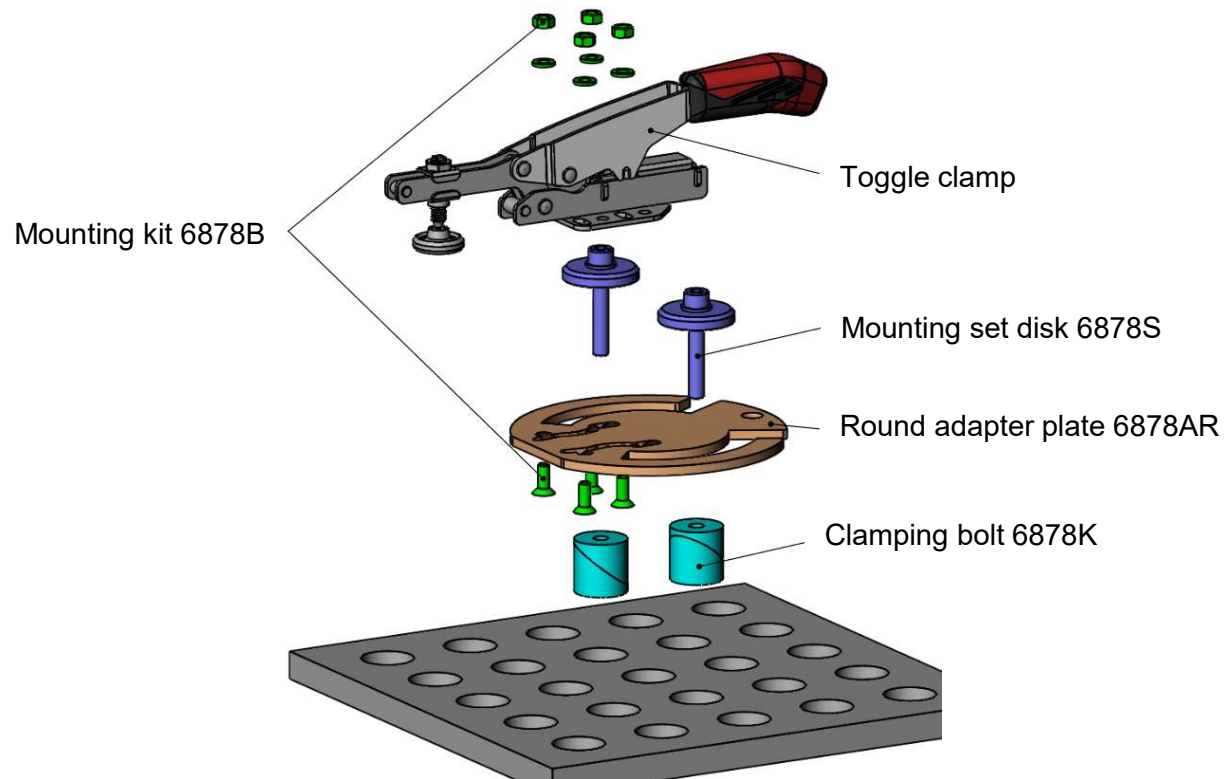
Mounting kit

Bestell-Nr.	Größe	Gewicht [g]	€/St.	
			ab 1	ab 10
564136	M5	4	2,14	2,04
564137	M6	6	2,14	2,04
564138	M8	9	2,14	2,04



> 6878 – Adapter for multifunctional tables

Application example 2:



> 6878 – Adapter for multifunctional tables

Video:

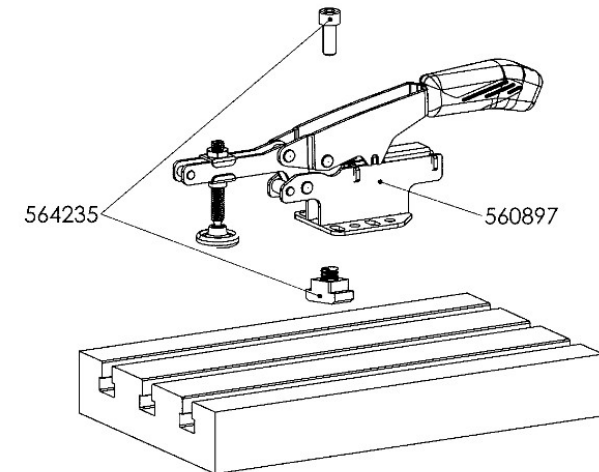


> 6878 – Adapter for multifunctional tables

Rhombus T-slot adapter 6878RM

For adapting toggle clamps on T-slot tables. The rhombus T-slot adapter with integrated stopping can be easily and conveniently inserted from above into the T-slot at the desired position and screwed tight. Rhombus nut made of quenched and tempered steel, burnished.

NEW!





> 6878 – Adapter for multifunctional tables

Video:



A horizontal banner image showing a technical drawing of a gear on the left and various mechanical components on the right, including what appears to be a motor or actuator assembly.

> 6878 – Adapter for multifunctional tables

Assemble construction kit:

- > 1. Select clamping bolt → Which table and grid does the customer have?
- > 2. Toggle clamp → Which clamp does the customer want to use?
- > 3. Application table:
 - > Does an adapter plate need to be used? If yes, which one does the customer want?
 - > Square adapter plate → Select suitable mounting kit for the clamp size
 - > Round adapter plate → Select suitable mounting kit for the clamp size + mounting set disc

The header for the agenda section features a solid orange square on the left, followed by a white right-pointing chevron, and the word 'Agenda' in a bold, orange, sans-serif font.

> Agenda

- > 6829VA – Pneumatic link clamp with groove for sensor query
- > 6878 – Adapter for multifunctional tables
- > **Q&A**

> Questions & Answers

> Do we lose holding forces when using the adapter plates?

No, all Adapters are able to hold the holding forces which are stated in the catalogue regarding the used toggle clamp.

> Does all the toggle clamps are prepared for fixing with the clamping bolt?

No, the toggle clamps which can be used with the clamping bolt or the adapter plate are shown in the application table, which is also printed in the catalogue.

Toggle Clamp Selektion	Size	Only clamping bolt without adapterplate	Size of mounting kit for adapter plate square and round		
			M5	M6	M8
6800	2		•		
	3			•	
	4				•
6830	2		•		
	3			•	
	4				•
6870F	20		•		
	50	•		•	
	70	•		•	
6874F	15		•		
	25	•		•	

> Thank you very much

Danke für Ihre Aufmerksamkeit.

Tack. **Merci beaucoup.** Thank you. ¡muchas gracias!

Grazie. **Dziękujemy.** **Спасибо.** *Tak.* **Bedankt.**